

BLV Series R Type

24 VDC Input 400 W-Compatible

Drivers **NEW**

24 VDC Input 400 W

Power Supply Cable **NEW**



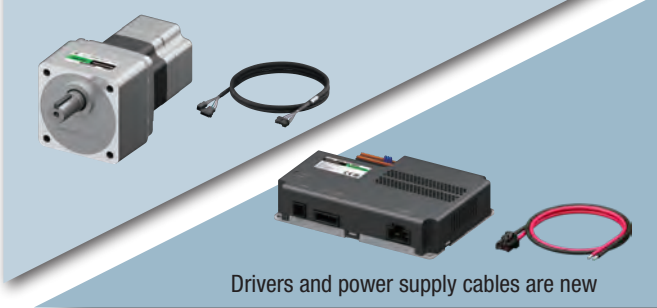
Allows for system unification of battery power supply and sensor, etc. to 24 VDC.
Contributes to overall space saving and cost reduction of equipment.

Addition of Support for 24 VDC Input 400 W

24 VDC input 400 W-compatible drivers are now available.

Power Supply Voltage	Motor Output Power			
	60 W	100 W	200 W	400 W
24 VDC	●	●	●	New!
48 VDC	●	●	●	●

Motors and connection cables are common with the 400 W version



Drivers and power supply cables are new

Unified 24 VDC Control and Power Supply

1. Unified 24 VDC

The systems that comprise automated transportation robots, such as battery power supply and sensors, can be unified to 24 VDC.

2. Space Saving/Equipment Weight Reduction

For a 48 VDC system, four 12 VDC batteries are needed, while just two can be used for a 24 VDC system.

This contributes to space saving and weight reduction of the equipment.

3. Cost Reduction

This allows for a reduction in the number of battery power supplies, which helps reduce costs.



Ideal for Driving Automated Transportation Robots

1. Stable Operation from 1 r/min

- Broad speed control range of 1 - 4000 r/min. Stable operation is possible even at low speeds.
- Acceleration and deceleration time can be set from 1 ms to enable smoother velocity compensation.

2. Acquisition of Current Position

- The current position can be acquired with enhanced motor feedback information.
- Improved resolution allows the motor to stop at the target position.

3. Wider Range of Operating Voltages

A wider range of operating voltage supports real world battery use.



Product Line

◇24 VDC 400 W-Compatible

◇24 VDC 400 W Power Supply Cable

Product Name
BLVD-KBRD

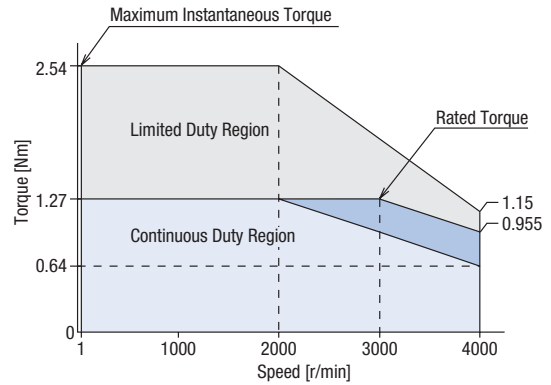
Product Name
LC02D06B

Specifications

Rated Output Power	400 W	
Power Supply Input	Rated Voltage	24 VDC
	Permissible Voltage Range	15 - 40 VDC
	Rated Input Current	20 A
	Max. Input Current	31 A
Rated Torque	1.27 Nm	
Maximum Instantaneous Torque	2.54 Nm	
Rated Speed	3000 r/min	
Speed Control Range	1 - 4000 r/min	

Modbus (RTU) **CANopen**

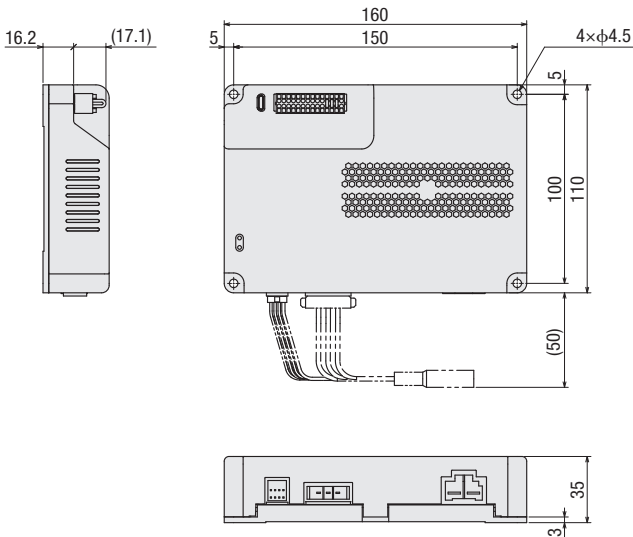
●Speed – Torque Characteristics



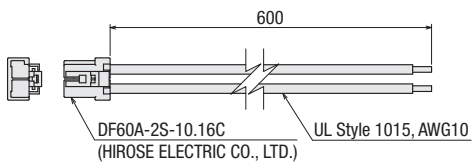
● is the region with a time rating of 30 minutes. Operation for more than 30 minutes may be possible depending on the ambient temperature and heat radiation conditions.

Dimensions (Unit = mm)

Product Name	Mass [kg]
BLVD-KBRD	0.46



Product Name
LC02D06B



Orientalmotor

Specifications are subject to change without notice. This catalogue was published in April 2024.

www.orientalmotor.eu

EN	UK	DE
IT	FR	ES

Customer Service Center (German & English)
Free Hotline 00800-22 55 66 22 - info@orientalmotor.de

These products are manufactured at plants certified with the international standards ISO 9001 (for quality assurance) and ISO 14001 (for systems of environmental management).