

AC Input/Compact Size MU Series



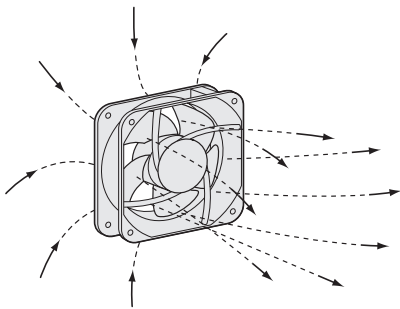
These compact AC axial flow fans are available in frame sizes ranging from □80 mm to □140 mm and conform to major safety standards.

Depending on the frame size, different speed types are available, from Low Speed, Middle Speed to Standard Speed.

Features

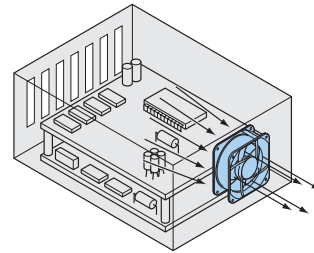
Axial Flow Fans

Axial flow fans use a propeller to generate airflow in the direction of the axis of rotation. Capable of generating a large air flow, axial flow fans are suited for applications requiring ventilation cooling.









Device Ventilation and Cooling

The large airflow of axial flow fans is suitable for ventilation and cooling inside electronic devices.

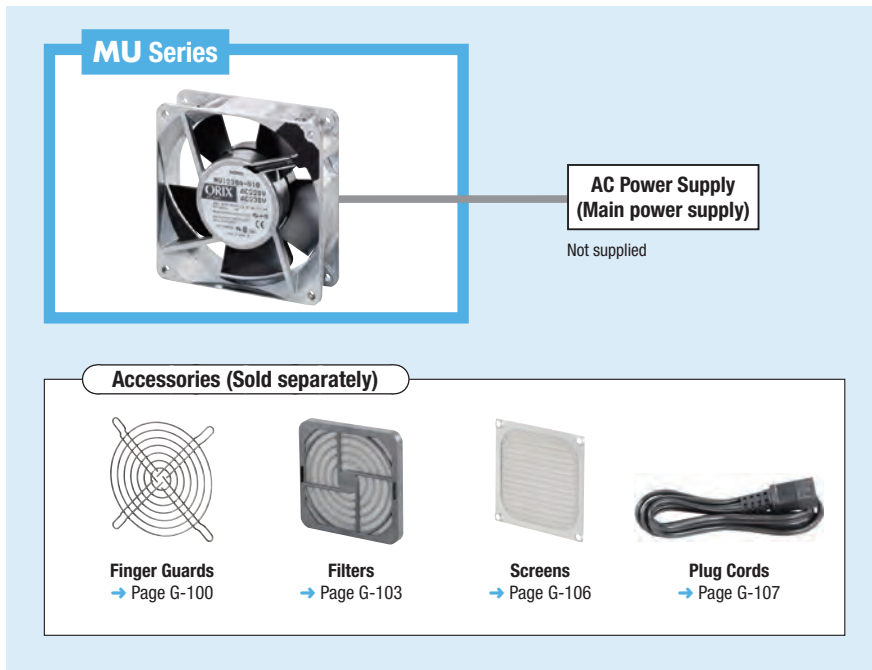


Product Line

A product line of six fan sizes are available, with frame sizes from □80 mm to □140 mm.

	MU825	MU925	MU1025	MU1225	MU1238	MU1428
Frame Size	□80 mm 25 mm thick	□92 mm 25 mm thick	□104 mm 25 mm thick	□119 mm 25 mm thick	□119 mm 38 mm thick	□140 mm 28 mm thick
						
Speed Type	Standard Speed	●	●	●	●	●
	Middle Speed		●		●	
	Low Speed				●	

System Configuration



● Example of System Configuration

Fan	Sold Separately	
	Finger Guard	Plug Cord [1 m]
MU1238A-51B	FG12D	PCA2B

● The system configuration shown above is an example. Other combinations are also available.

Product Number

● Fan Only

MU 12 38 A - 5 1 B

① ② ③ ④ ⑤ ⑥ ⑦

①	Series	MU: MU Series
②	Frame Size	8: 80 mm 9: 92 mm 10: 104 mm 12: 119 mm 14: 140 mm
③	Frame Thickness	25: 25 mm 28: 28 mm 38: 38 mm
④	Speed Type	A, S: Standard Speed M, B: Middle Speed L: Low Speed
⑤	Power Supply Voltage	5: Single-Phase 220/230 VAC
⑥	Power Connection	1: 2-Terminal 3: Lead Wire Type
⑦	Reference Number	

● Fan Kit

T - MU1238A-51 - GP

① ② ③

①	Fan Kit Order Code
②	Fan Product Name
③	G: With finger guard and installation screws GP: With finger guard, plug cord and installation screws

Overview,
Product
Series

Axial
Flow
Fans

AC Input
Energy Saving
EMU

AC Input
Energy Saving,
Variable Flow
EMR

AC Input
Compact Size
MU

AC Input
Long-Life
MRE

DC Input
MDS
MD

DC Input
Alarm
MDA

DC Input
Long-Life
MDE

Centrifugal
Blowers

AC Input
MB
DC Input
MBD

Cross Flow Fans

AC Input
MF
DC Input
MGD

Accessories

Installation

MU Series

80 mm – 25 mm Thick



Operating Voltage Range: ±10% (Applies to each voltage)
Overheat Protection: Impedance Protected
Color
Frame: Unpainted (Aluminum) Blades: Black
Materials
Frame: Die Cast Aluminum
Blades: Polycarbonate (Flammability grade V-0)

80 mm

92 mm

104 mm

119 mm

140 mm

160 mm

180 mm

200 mm

Specifications



Speed Type	Product Name	Voltage VAC	Frequency Hz	Current A	Input W	Speed r/min	Max. Air Flow m ³ /min	Max. Static Pressure Pa	Noise Level dB (A)
Standard Speed	MU825S-53	Single-Phase 220	50	0.06	8.5	2750	0.45	34	28
		Single-Phase 230	50	0.07	10.5	2750	0.45	34	28
		Single-Phase 230	60	0.06	8.0	3250	0.55	49	35

Product Line

For the single-phase 100/115 VAC, the single-phase 200 VAC models, please contact the nearest Oriental Motor sales office.

Fan Only

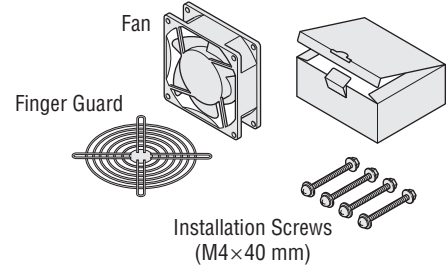
Product Name
MU825S-53

The following items are included with each product.
Fan, Operating Manual

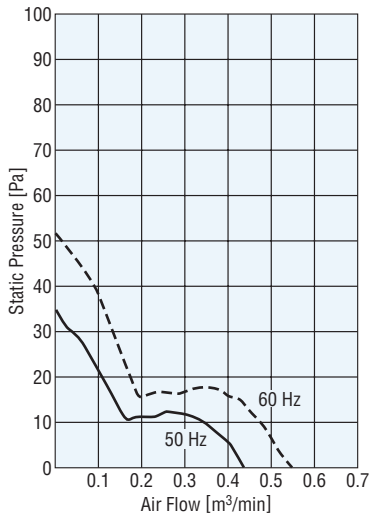
Fan Kit

Product Name
T-MU825S-53-G

The following items are included in each kit.

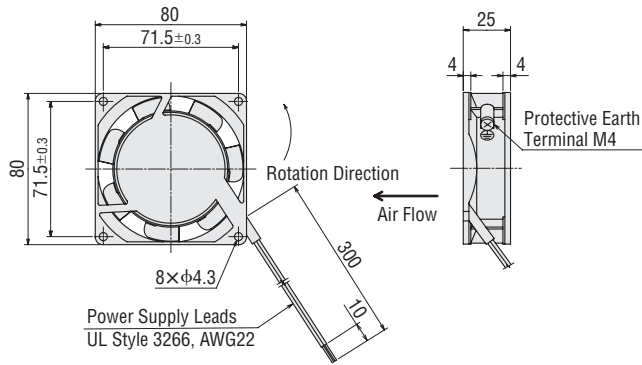


Air Flow – Static Pressure Characteristics (The characteristics are applicable for the fan only.)

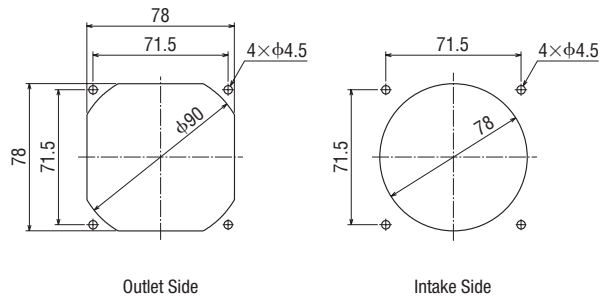


■ Dimensions Unit: mm

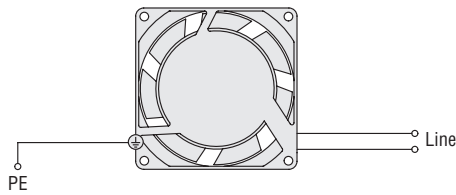
Mass: 0.25 kg



■ Panel Cut-Out Unit: mm



■ Connection Diagram



■ Accessories

Product	Product Name
Finger Guard	FG8D
Stainless Steel Finger Guard	FG8S
Filter	FL8
Screen	FS8S

Overview,
Product
Series

Axial
Flow
Fans

AC Input
Energy Saving
EMU

AC Input
Energy Saving,
Variable Flow
EMR

AC Input
Compact Size
MU

AC Input
Long-Life
MRE

DC Input
MDS
MD

DC Input
Alarm
MDA

DC Input
Long-Life
MDE

Centrifugal
Blowers

AC Input
MB
DC Input
MBD

Cross Flow Fans

AC Input
MF
DC Input
MFD

Accessories

Installation

MU Series

92 mm – 25 mm Thick



Operating Voltage Range: ±10% (Applies to each voltage)
Overheat Protection: Impedance Protected
Color
Frame: Unpainted (Aluminum) Blades: Black
Materials
Frame: Die Cast Aluminum
Blades: Polycarbonate (Flammability grade V-0)

80 mm

92 mm

Specifications



104 mm

Speed Type	Product Name	Voltage VAC	Frequency Hz	Current A	Input W	Speed r/min	Max. Air Flow m ³ /min	Max. Static Pressure Pa	Noise Level dB (A)
Standard Speed	MU925S-51	Single-Phase 220	50	0.06	8.5	2600	0.95	44	35
		Single-Phase 230	50	0.07	10.5	2600	0.95	44	35
		Single-Phase 230	60	0.06	8.0	3000	1.10	59	39
Middle Speed	MU925M-51	Single-Phase 220	50	0.06	8.5	2300	0.85	34	31
		Single-Phase 230	50	0.06	9.5	2300	0.85	34	32
		Single-Phase 230	60	0.06	8.0	2700	1.00	44	36

119 mm

140 mm

160 mm

Product Line

For the single-phase 100/115 VAC, the single-phase 200 VAC models, please contact the nearest Oriental Motor sales office.

180 mm

200 mm

Fan Only

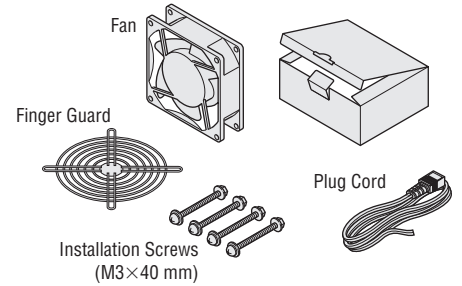
Product Name
MU925S-51
MU925M-51

Fan Kit

Product Name
T-MU925S-51-GP
T-MU925M-51-GP

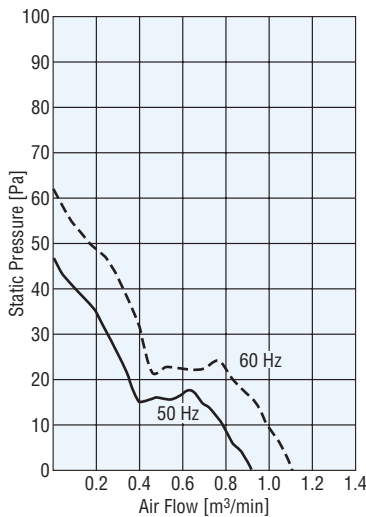
The following items are included with each product.
Fan, Operating Manual

The following items are included in each kit.

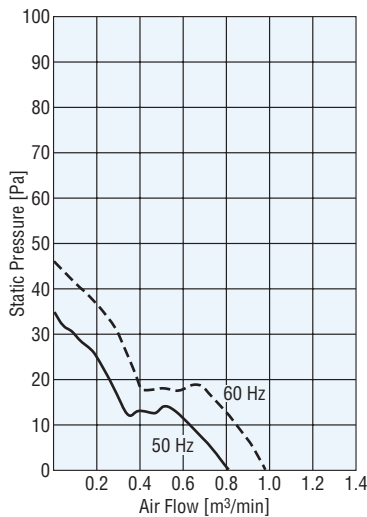


Air Flow – Static Pressure Characteristics (The characteristics are applicable for the fan only.)

MU925S

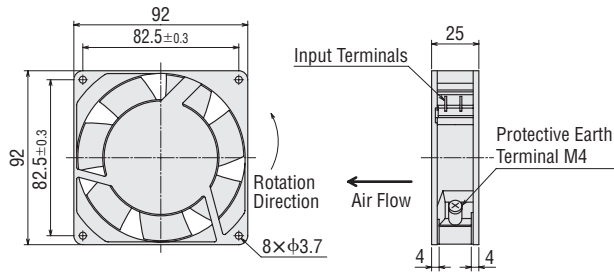


MU925M

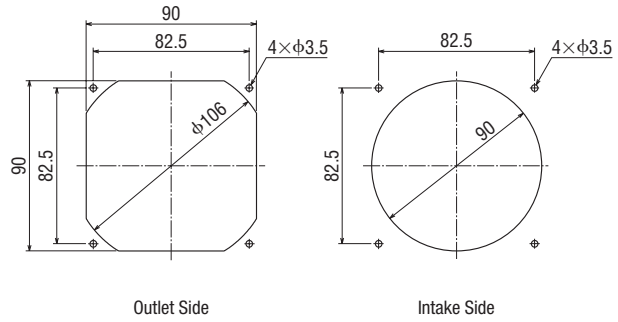


■ Dimensions Unit: mm

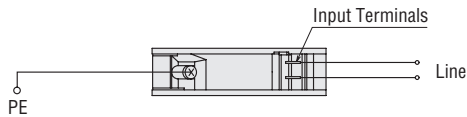
Mass: 0.27 kg



■ Panel Cut-Out Unit: mm



■ Connection Diagram



■ Accessories

Product	Product Name
Finger Guard	FG9D
Stainless Steel Finger Guard	FG9S
Filter	FL9
Screen	FS9S
Plug Cord	PCA2B (1 m)
	PCA2B2 (2 m)

Overview,
Product
Series

Axial
Flow
Fans

AC Input
Energy Saving
EMU

AC Input
Energy Saving,
Variable Flow
EMR

AC Input
Compact Size
MU

AC Input
Long-Life
MRE

DC Input
MDS
MD

DC Input
Alarm
MDA

DC Input
Long-Life
MDE

Centrifugal
Blowers

AC Input
MB
DC Input
MBD

Cross Flow Fans

AC Input
MF
DC Input
MFD

Accessories

Installation

MU Series

104 mm – 25 mm Thick



Operating Voltage Range: ±10%
Overheat Protection: Impedance Protected
Color
Frame: Unpainted (Aluminum) Blades: Black
Materials
Frame: Die Cast Aluminum
Blades: Polycarbonate (Flammability grade V-0)

80 mm

92 mm

Specifications



104 mm

Speed Type	Product Name	Voltage VAC	Frequency Hz	Current A	Input W	Speed r/min	Max. Air Flow m ³ /min	Max. Static Pressure Pa	Noise Level dB (A)
Standard Speed	MU1025S-51	Single-Phase 230	50	0.06	11.0	2500	1.2	39	35
			60	0.05	9.5	2900	1.4	44	39

119 mm

Product Line

For the single-phase 100 VAC, the single-phase 200 VAC models, please contact the nearest Oriental Motor sales office.

140 mm

● Fan Only

Product Name
MU1025S-51

● Fan Kit

Product Name
T-MU1025S-51-GP

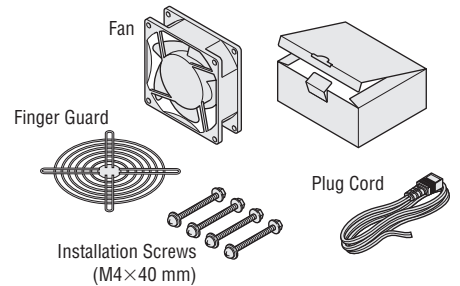
160 mm

180 mm

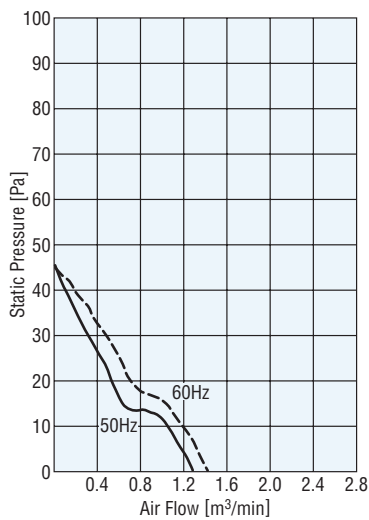
The following items are included in each kit.

200 mm

The following items are included with each product.
Fan, Operating Manual

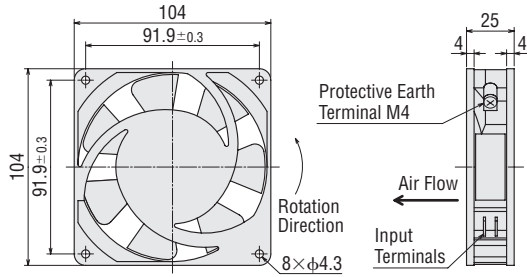


Air Flow – Static Pressure Characteristics (The characteristics are applicable for the fan only.)

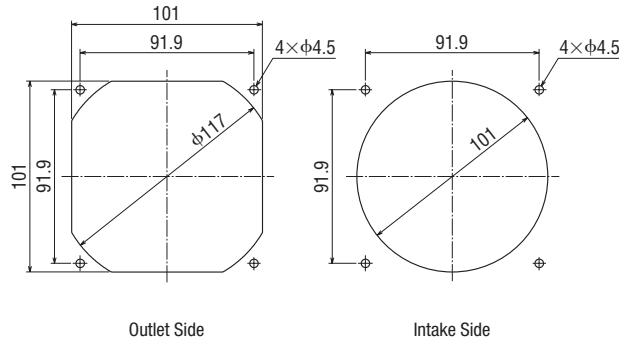


■ Dimensions Unit: mm

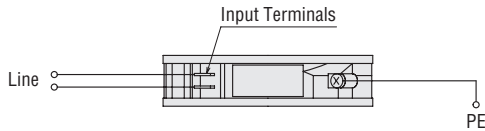
Mass: 0.30 kg



■ Panel Cut-Out Unit: mm



■ Connection Diagram



■ Accessories

Product	Product Name
Finger Guard	FG10D
Stainless Steel Finger Guard	FG10S
Filter	FL10
Metallic Filter	FLW10
Plug Cord	PCA2B (1 m)
	PCA2B2 (2 m)

Overview,
Product
Series

Axial
Flow
Fans

AC Input
Energy Saving
EMU

AC Input
Energy Saving,
Variable Flow
EMR

AC Input
Compact Size
MU

AC Input
Long-Life
MRE

DC Input
MDS
MD

DC Input
Alarm
MDA

DC Input
Long-Life
MDE

Centrifugal
Blowers

AC Input
MB
DC Input
MBD

Cross Flow Fans

AC Input
MF
DC Input
MFD

Accessories

Installation

MU Series

119 mm – 25 mm Thick



Operating Voltage Range: ±10% (Applies to each voltage)
Overheat Protection: Impedance Protected
Color
Frame: Unpainted (Aluminum) Blades: Black
Materials
Frame: Die Cast Aluminum
Blades: Polycarbonate (Flammability grade V-0)

80 mm

92 mm

104 mm

119 mm

140 mm

160 mm

180 mm

200 mm

Specifications



Speed Type	Product Name	Voltage VAC	Frequency Hz	Current A	Input W	Speed r/min	Max. Air Flow m ³ /min	Max. Static Pressure Pa	Noise Level dB (A)
Standard Speed	MU1225S-51	Single-Phase 220	50	0.07	10.5	2500	1.6	49	36
		Single-Phase 230	50	0.08	12.0	2500	1.6	49	36
		Single-Phase 230	60	0.07	10.0	2950	1.9	44	40
Middle Speed	MU1225M-51	Single-Phase 220	50	0.07	10.0	2250	1.4	32	33
		Single-Phase 230	50	0.07	12.0	2250	1.4	32	33
		Single-Phase 230	60	0.07	9.5	2600	1.7	31	37

Product Line

For the single-phase 100/115 VAC, the single-phase 200 VAC models, please contact the nearest Oriental Motor sales office.

Fan Only

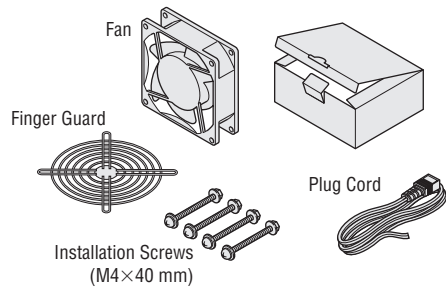
Product Name
MU1225S-51
MU1225M-51

Fan Kit

Product Name
T-MU1225S-51-GP
T-MU1225M-51-GP

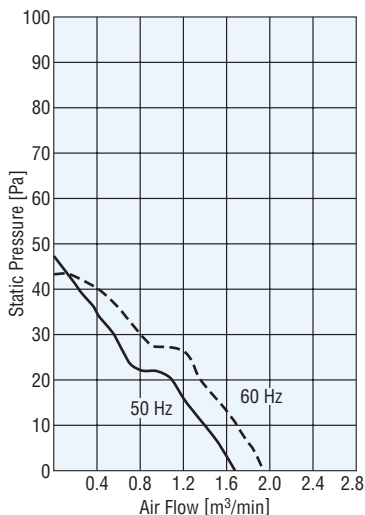
The following items are included with each product.
Fan, Operating Manual

The following items are included in each kit.

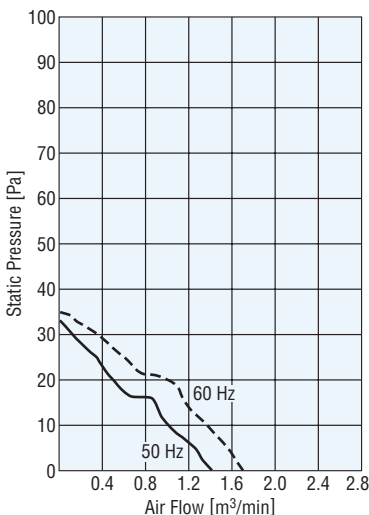


Air Flow – Static Pressure Characteristics (The characteristics are applicable for the fan only.)

MU1225S

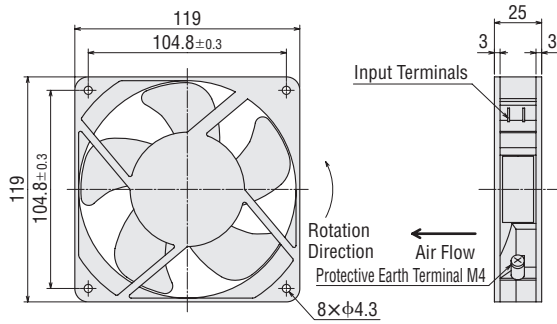


MU1225M

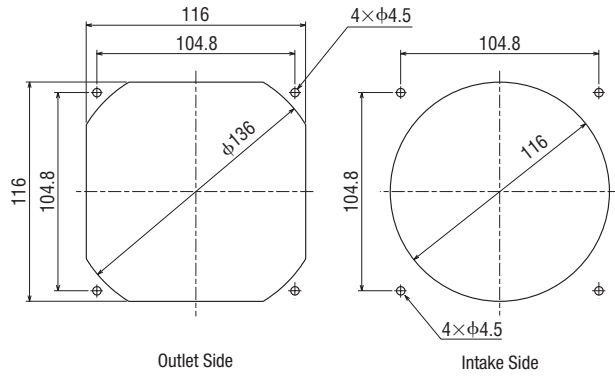


■ Dimensions Unit: mm

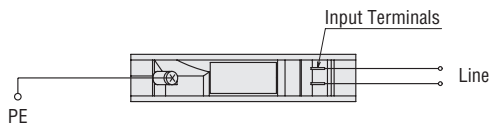
Mass: 0.31 kg



■ Panel Cut-Out Unit: mm



■ Connection Diagram



■ Accessories

Product	Product Name
Finger Guard	FG12D
Stainless Steel Finger Guard	FG12S
Filter	FL12
Metallic Filter	FLW12
Screen	FS12S
Plug Cord	PCA2B (1 m)
	PCA2B2 (2 m)

Overview,
Product
Series

Axial
Flow
Fans

AC Input
Energy Saving,
EMU

AC Input
Energy Saving,
Variable Flow
EMR

AC Input
Compact Size
MU

AC Input
Long-Life
MRE

DC Input
MDS
MD

DC Input
Alarm
MDA

DC Input
Long-Life
MDE

Centrifugal
Blowers

AC Input
MB
DC Input
MBD

Cross Flow Fans

AC Input
MF
DC Input
MFD

Accessories

Installation

MU Series

119 mm – 38 mm Thick



Operating Voltage Range: ±10% (Applies to each voltage)
Overheat Protection: Impedance Protected
Color
Frame: Unpainted (Aluminum) Blades: Black
Materials
Frame: Die Cast Aluminum
Blades: Polycarbonate (Flammability grade V-0)

80 mm

92 mm

104 mm

119 mm

140 mm

160 mm

180 mm

200 mm

Specifications



Speed Type	Product Name	Voltage VAC	Frequency Hz	Current A	Input W	Speed r/min	Max. Air Flow m³/min	Max. Static Pressure Pa	Noise Level dB (A)
Standard Speed	MU1238A-51B	Single-Phase 220	50	0.10	13.5	2800	2.7	81	43
		Single-Phase 230	50	0.11	16.0	2800	2.7	81	43
		Single-Phase 230	60	0.10	13.5	3250	3.0	81	46
Middle Speed	MU1238B-51B	Single-Phase 220	50	0.09	11.5	2500	2.2	52	38
		Single-Phase 230	50	0.09	14.0	2500	2.3	59	39
		Single-Phase 230	60	0.09	11.5	2800	2.5	52	40
Low Speed	MU1238L-51B	Single-Phase 220	50	0.06	7.5	2100	1.85	34	33
		Single-Phase 230	50	0.06	9.5	2100	1.9	34	34
		Single-Phase 230	60	0.06	7.5	2200	1.9	29	33

Product Line

For the single-phase 100/115 VAC, the single-phase 200 VAC models, please contact the nearest Oriental Motor sales office.

Fan Only

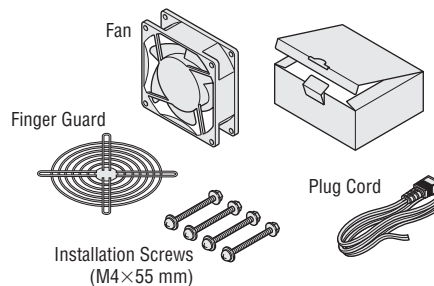
Product Name
MU1238A-51B
MU1238B-51B
MU1238L-51B

The following items are included with each product.
Fan, Operating Manual

Fan Kit

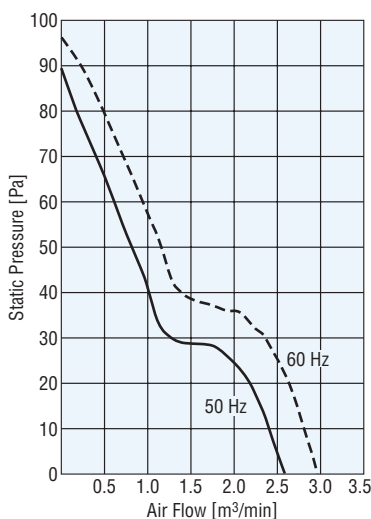
Product Name
T-MU1238A-51-GP
T-MU1238B-51-GP
T-MU1238L-51-GP

The following items are included in each kit.

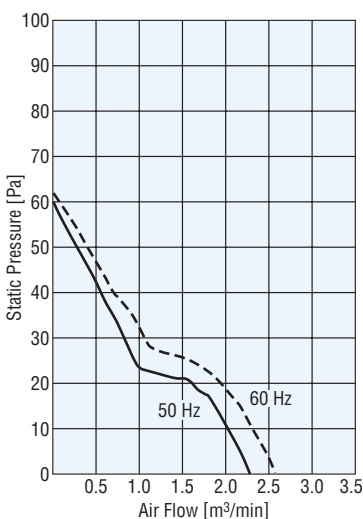


Air Flow – Static Pressure Characteristics (The characteristics are applicable for the fan only.)

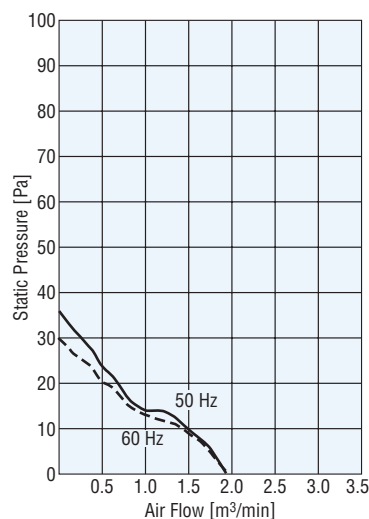
MU1238A



MU1238B

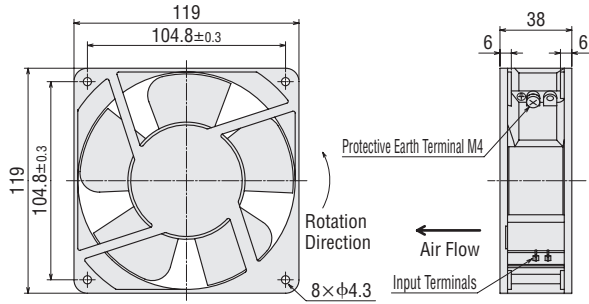


MU1238L

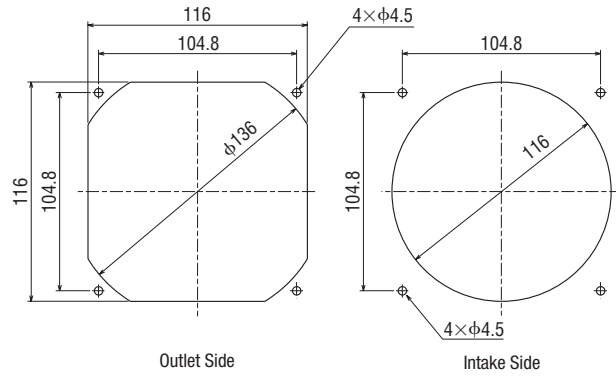


Dimensions Unit: mm

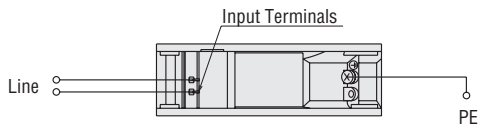
Mass: 0.53 kg



Panel Cut-Out Unit: mm



Connection Diagram



Accessories

Product	Product Name
Finger Guard	FG12D
Stainless Steel Finger Guard	FG12S
Filter	FL12
Metallic Filter	FLW12
Screen	FS12S
Plug Cord	PCA2B (1 m)
	PCA2B2 (2 m)

Overview,
Product
Series

Axial
Flow
Fans

AC Input
Energy Saving,
Variable Flow
EMU

AC Input
Energy Saving,
Variable Flow
EMR

AC Input
Compact Size
MU

AC Input
Long-Life
MRE

DC Input
MDS
MD

DC Input
Alarm
MDA

DC Input
Long-Life
MDE

Centrifugal
Blowers

AC Input
MB
DC Input
MBD

Cross Flow Fans

AC Input
MF
DC Input
MFD

Accessories

Installation

MU Series

140 mm – 28 mm Thick



Operating Voltage Range: $\pm 10\%$ (Applies to each voltage)
Overheat Protection: Impedance Protected
Color
Frame: Unpainted (Aluminum) Blades: Black
Materials
Frame: Die Cast Aluminum
Blades: Polycarbonate (Flammability grade V-0)

80 mm

92 mm

Specifications



104 mm

Speed Type	Product Name	Voltage VAC	Frequency Hz	Current A	Input W	Speed r/min	Max. Air Flow m ³ /min	Max. Static Pressure Pa	Noise Level dB (A)
Standard Speed	MU1428S-51	Single-Phase 220	50	0.07	12.0	2400	2.4	43	44
		Single-Phase 230	50	0.08	13.5	2500	2.5	45	45
		Single-Phase 230	60	0.07	12.0	2700	2.7	34	46

119 mm

140 mm

Product Line

For the single-phase 100 VAC, the single-phase 200 VAC models, please contact the nearest Oriental Motor sales office.

160 mm

Fan Only

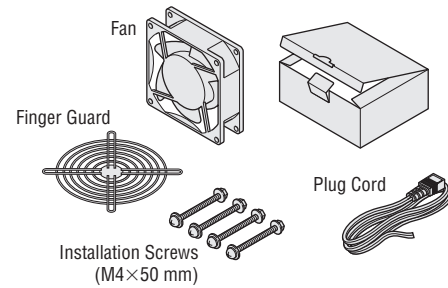
Product Name
MU1428S-51

Fan Kit

Product Name
T-MU1428S-51-GP

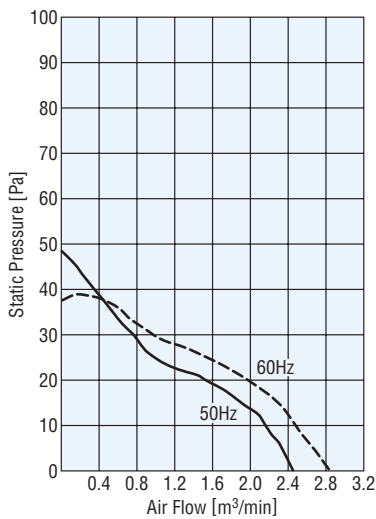
180 mm

The following items are included in each kit.



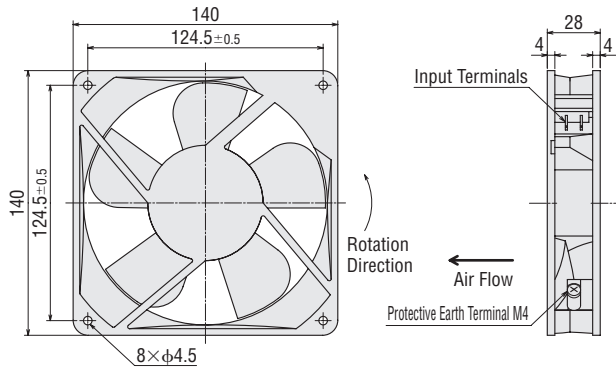
200 mm

Air Flow – Static Pressure Characteristics (The characteristics are applicable for the fan only.)

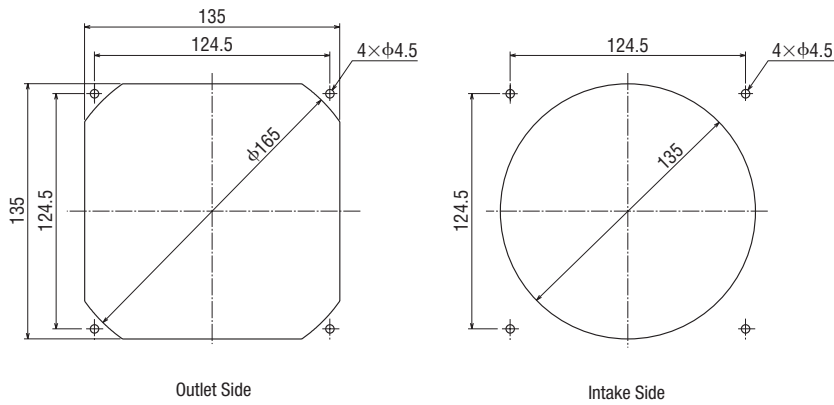


Dimensions Unit: mm

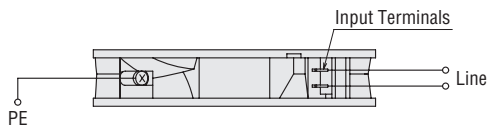
Mass: 0.4 kg



Panel Cut-Out Unit: mm



Connection Diagram



Accessories

Product	Product Name
Finger Guard	FG14D
Stainless Steel Finger Guard	FG14S
Filter	FL14
Metallic Filter	FLW14
Plug Cord	PCA2B (1 m)
	PCA2B2 (2 m)

Overview,
Product
Series

Axial
Flow
Fans

AC Input
Energy Saving
EMU

AC Input
Energy Saving,
Variable Flow
EMR

AC Input
Compact Size
MU

AC Input
Long-Life
MRE

DC Input
MDS
MD

DC Input
Alarm
MDA

DC Input
Long-Life
MDE

Centrifugal
Blowers

AC Input
MB
DC Input
MBD

Cross Flow Fans

AC Input
MF
DC Input
MFD

Accessories

Installation

Cooling Fans

Accessories

	Page
Finger Guards.....	G-100
Filters.....	G-103
Screens	G-106
Plug Cords for Connection to Power Supply	G-107
Power Supply Cables	G-107
External Speed Potentiometer	G-108

Overview,
Product
Series

Axial
Flow
Fans

AC Input
Energy Saving
EMU

AC Input
Energy Saving,
Variable Flow
EMR

AC Input
Compact Size
MU

AC Input
Long-Life
MRE

DC Input
MDS
MD

DC Input
Alarm
MDA

DC Input
Long-Life
MDE

Centrifugal
Blowers

AC Input
MB
DC Input
MBD

Cross Flow Fans

AC Input
MF
DC Input
MFD

Accessories

Accessories

Installation

Finger Guards

Stainless Steel Finger Guards

It is very dangerous to touch fan blades when the fan is operating. Finger guards prevent fingers or foreign objects from entering the device. Finger guards are mounted to the fan frame using bolts.

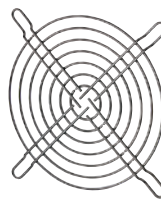
● Finger Guards

Material: Steel wire Finish: Chrome plating

● Stainless Steel Finger Guards

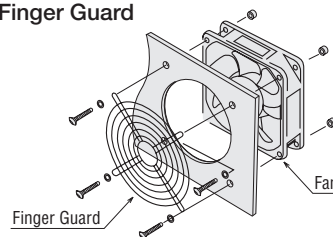
Material: Stainless steel Finish: Electropolish

● For the **EMU** Series, **MU** Series, **MDS** Series, **MD** Series, **MDA** Series and **MDE** Series, if the installation screws included in the fan kit product are used, finger guards can be installed on both sides of the fan. (When the installation panel thickness is 2 mm or less)



For Axial Flow Fans

Installing the Finger Guard

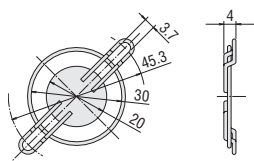


Dimensions Unit: mm

● Finger Guards for Axial Flow Fans

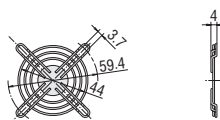
FG4D..... for **MDS410**

Mass: 4.2 g



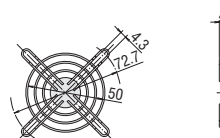
FG5D..... for **MDS510**

Mass: 7.7 g



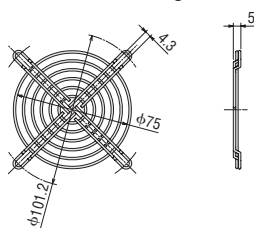
FG6D..... for **MD625** and **MDA625**

Mass: 8.3 g



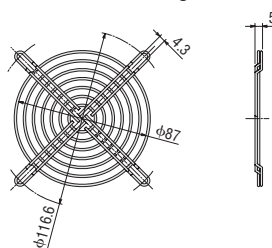
FG8D..... for **MU825**, **MD825** and **MDA825**

Mass: 23 g



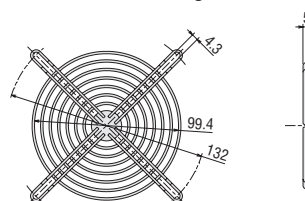
FG9D..... for **MU925**, **MD925** and **MDA925**

Mass: 28 g



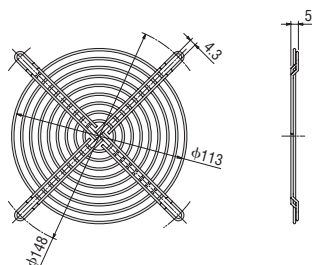
FG10D..... for **MU1025**

Mass: 34 g



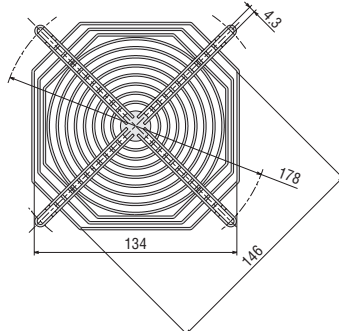
FG12D..... for **EMU1238**, **MU1225**, **MU1238**, **MD1225**, **MDS1225**, **MDA1225** and **MDE1225**

Mass: 42 g



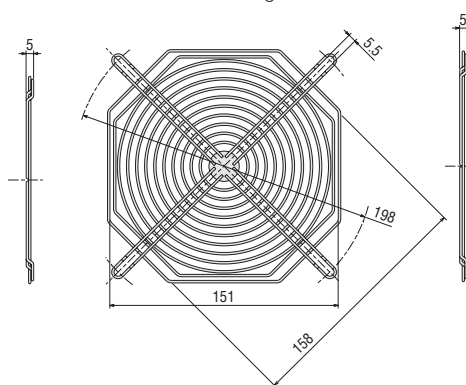
FG14D..... for **MU1428**, **MDS1451**, **MDA1451** and **MDE1451**

Mass: 64 g

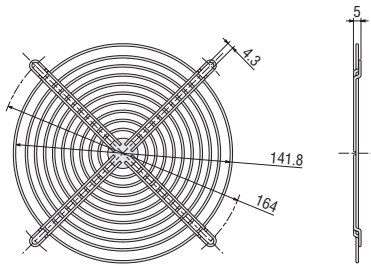


FG16D..... for **MRE16**

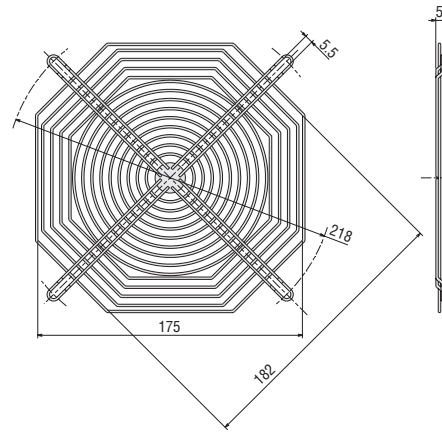
Mass: 75 g



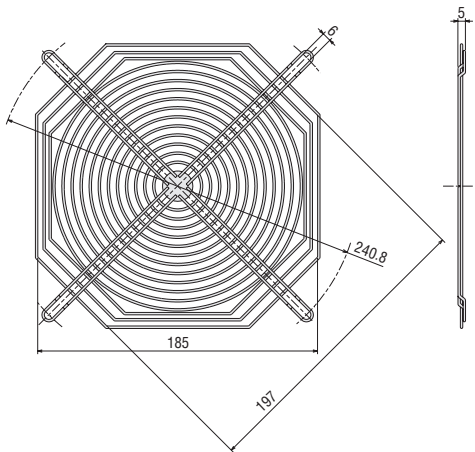
FG17D..... for **MDS1751** and **MDA1751**
Mass: 57 g



FG18D..... for **MRE18**
Mass: 95 g



FG20D..... for **MRE20**
Mass: 105 g



Overview,
Product
Series

Axial
Flow
Fans

AC Input
Energy Saving
EMU

AC Input
Energy Saving,
Variable Flow
EMR

AC Input
Compact Size
MU

AC Input
Long-Life
MRE

DC Input
MDS
MD

DC Input
Alarm
MDA

DC Input
Long-Life
MDE

Centrifugal
Blowers

AC Input
MB
DC Input
MBD

Cross Flow Fans

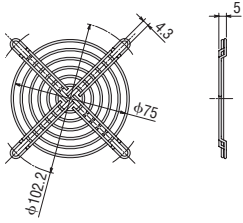
AC Input
MF
DC Input
MFD

Accessories

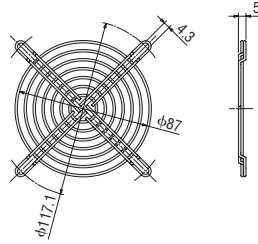
Installation

● Stainless Steel Finger Guards for Axial Flow Fans

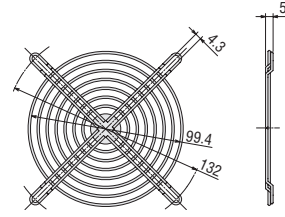
FG85..... for **MU825, MD825** and **MDA825**
Mass: 22 g



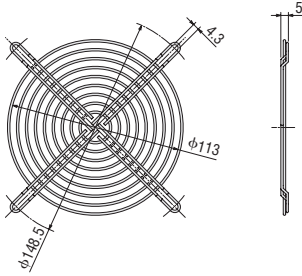
FG95..... for **MU925, MD925** and **MDA925**
Mass: 27 g



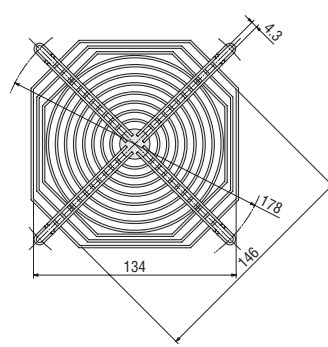
FG105..... for **MU1025**
Mass: 33 g



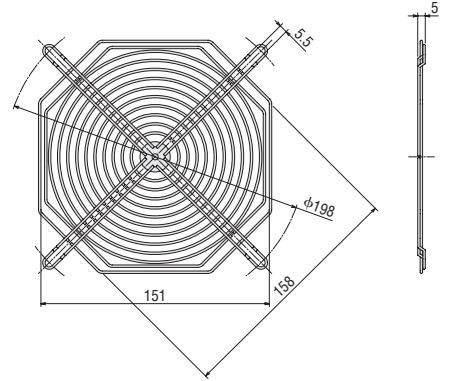
FG125..... for **EMU1238, MU1225, MU1238, MD1225, MDS1225, MDA1225** and **MDE1225**
Mass: 41 g



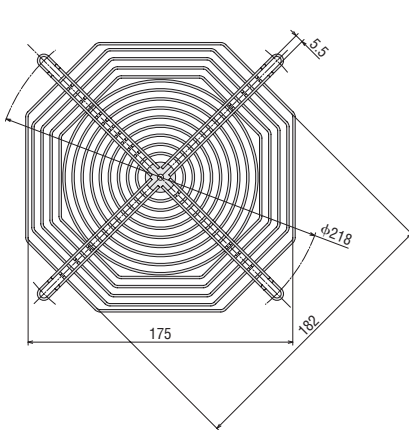
FG145..... for **MU1428, MDS1451, MDA1451** and **MDE1451**
Mass: 64 g



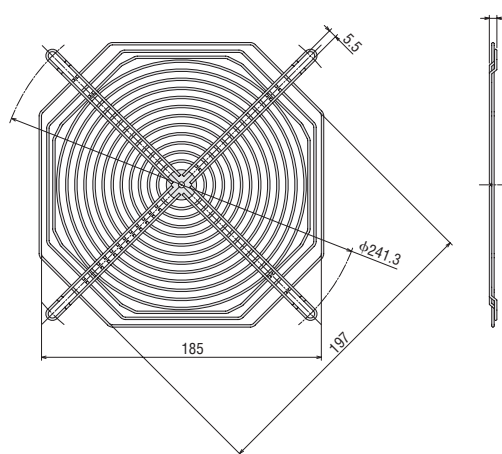
FG165..... for **MRE16**
Mass: 73 g



FG185..... for **MRE18**
Mass: 92 g



FG205..... for **MRE20**
Mass: 103 g



Filters

Metallic Filters

When using a fan to cool machinery, dust may accumulate inside the machinery after long periods of operation. Depending on the parts involved, this could cause a malfunction.

These filters prevent dust from entering the device, keeping the air inside the machinery dust free.

Additionally, because the material of the metallic filter is stainless metal, there is no worry of rust or corrosion and it is possible to remove deposits by washing or vacuuming with a vacuum cleaner.

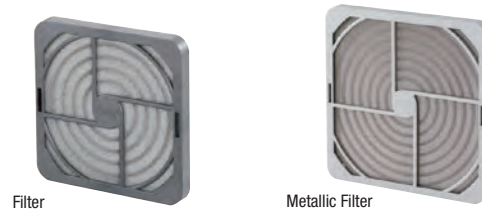
The filter and metal filter consist of the following three parts:

● Filter

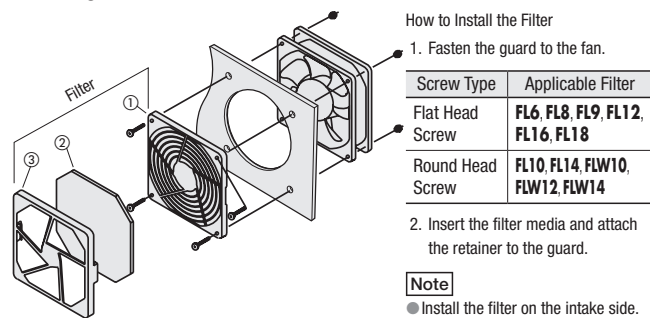
- ① Guard : Plastic finger guard
Flammability grade: V-0
- ② Filter Media: Polyurethane air-cleaning filter media 20 to 45 PPI
(PPI: The number of air bubbles per inch)
- ③ Retainer : Plastic retainer for filtering material
Flammability grade: V-0

● Metallic Filter

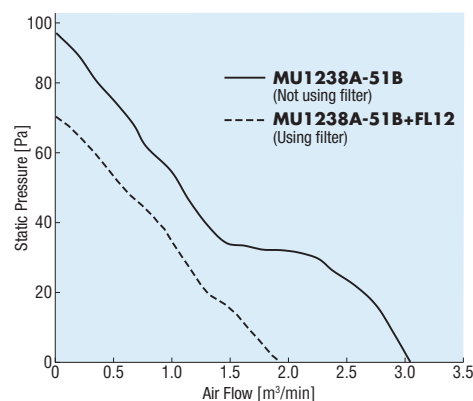
- ① Guard : Nylon resin finger guard
Flammability grade: V-0
 - ② Filter Media: Stainless media 30 mesh
(Mesh: Number of square holes per 1 inch)
 - ③ Retainer : Nylon resin retainer for filtering material
Flammability grade: V-0
- The filter media and the retainer of the filter and metallic filter can be attached and detached very easily for washing or other kinds of maintenance.



Installing the Filter



Example of Air Flow – Static Pressure Characteristics When Using a Filter

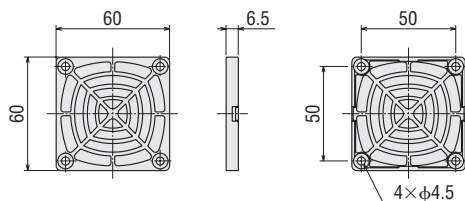


Dimensions Unit: mm

● Filters for Axial Flow Fans

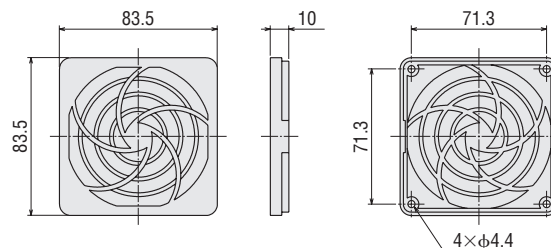
FL6..... for MD625 and MDA625

Mass: 11 g (Filter media: 45 PPI)



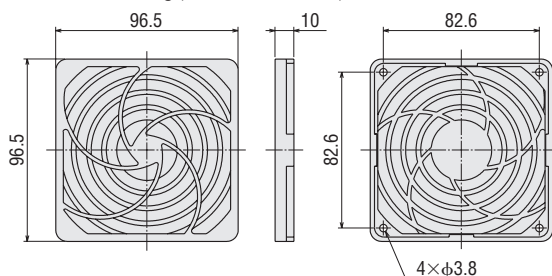
FL8..... for MU825, MD825 and MDA825

Mass: 19 g (Filter media: 20 PPI)



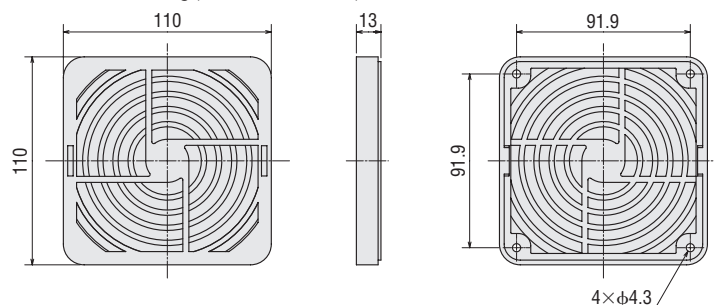
FL9..... for MU925, MD925 and MDA925

Mass: 26 g (Filter media: 20 PPI)

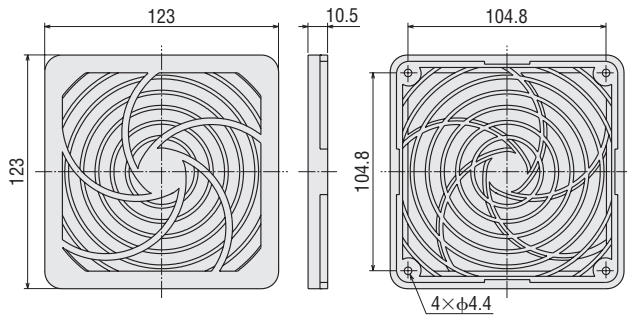


FL10..... for MU1025

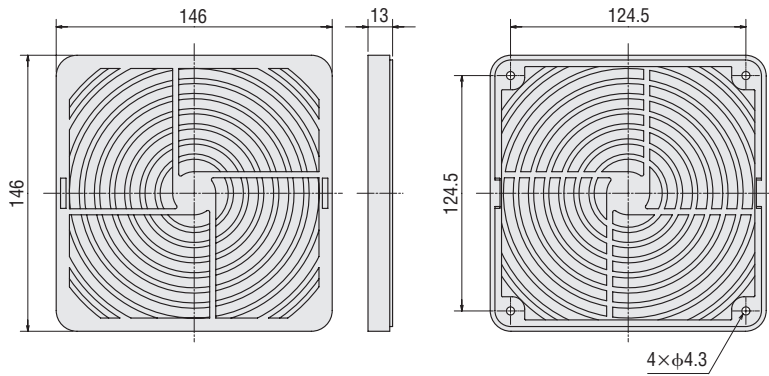
Mass: 63 g (Filter media: 30 PPI)



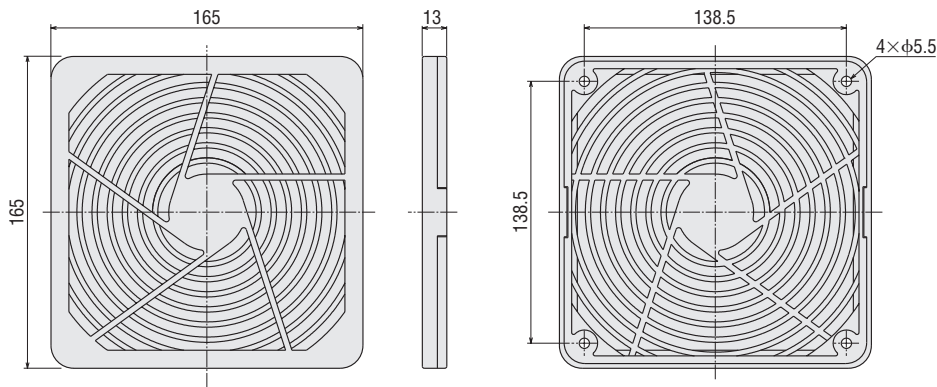
FL12..... for **EMU1238, MU1225, MU1238, MDS1225, MD1225, MDA1225** and **MDE1225**
 Mass: 46 g (Filter media: 20 PPI)



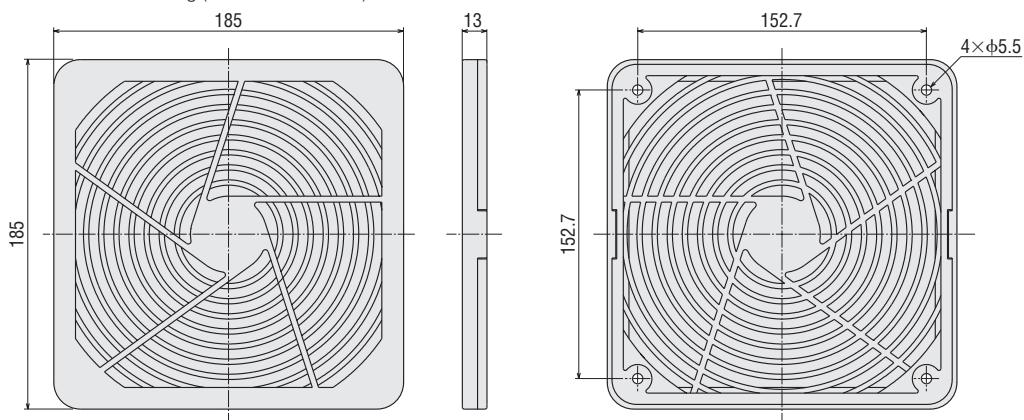
FL14..... for **MU1428, MDS1451, MDA1451** and **MDE1451**
 Mass: 92 g (Filter media: 30 PPI)



FL16..... for **MRE16**
 Mass: 126 g (Filter media: 30 PPI)



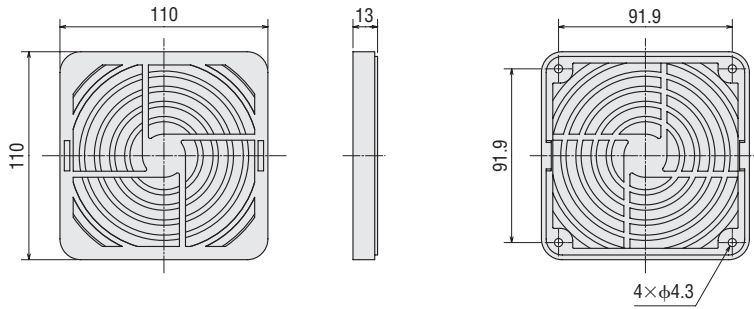
FL18..... for **MRE18**
 Mass: 165 g (Filter media: 30 PPI)



● Metallic Filters for Axial Flow Fans

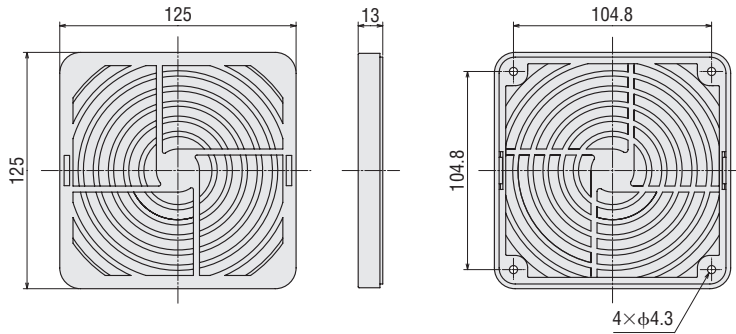
FLW10.....for MU1025

Mass: 86 g (Filter media: 30 mesh)



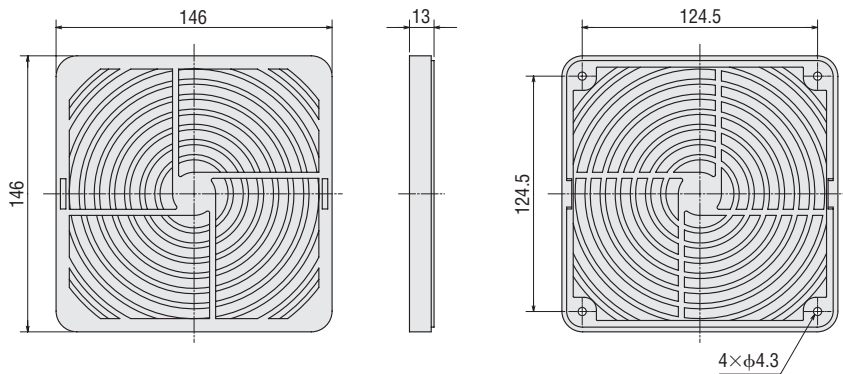
FLW12.....for EMU1238, MU1225, MU1238, MDS1225, MD1225, MDA1225 and MDE1225

Mass: 104 g (Filter media: 30 mesh)



FLW14.....for MU1428, MDS1451, MDA1451 and MDE1451

Mass: 130 g (Filter media: 30 mesh)



■ Replacement Filter Media

● Filter Medias for Filters

Product Name	Applicable Filter
FLM6	FL6
FLM8	FL8
FLM9	FL9
FLM10	FL10
FLM12	FL12
FLM14	FL14
FLM16	FL16
FLM18	FL18

● Filter Medias for Metallic Filters

Product Name	Applicable Filter
FLWM10	FLW10
FLWM12	FLW12
FLWM14	FLW14

Note

- One package contains five filter media for filters.
- One package contains one filter media for metallic filters.
- When ordering, please specify the quantity by the number of packages.
- List price indicates the price with one package.

Overview,
Product
Series

Axial
Flow
Fans

AC Input
Energy Saving
EMU

AC Input
Energy Saving,
Variable Flow
EMR

AC Input
Compact Size
MU

AC Input
Long-Life
MRE

DC Input
MDS
MD

DC Input
Alarm
MDA

DC Input
Long-Life
MDE

Centrifugal
Blowers

AC Input
MB
DC Input
MBD

Cross Flow Fans

AC Input
MF
DC Input
MGD

Accessories

Installation

Screens

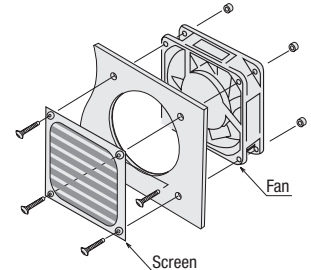
Fans are used to cool or ventilate electronic devices that may generate electromagnetic waves. These waves can escape from the fan cooling holes, causing interference to computers and measuring instruments.

The screens allow the passage of air, but block electromagnetic waves.

The screen is a durable magnetic shield using a stainless mesh fixed to an aluminum frame. Screens are easily attached to the fan using screws.

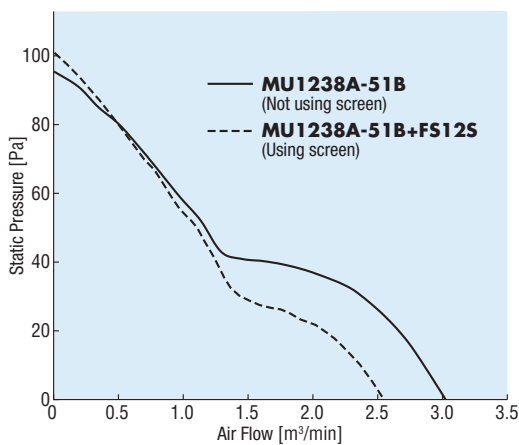


Installing the Screen



- Install from the flat side of the fan.
- To shut out electromagnetic waves, it is necessary to install such that there is no gap between the screen edges and the enclosure.

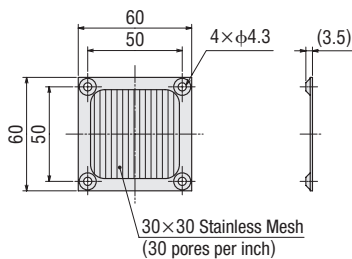
Example of Air Flow – Static Pressure Characteristics When Using a Screen



Dimensions Unit: mm

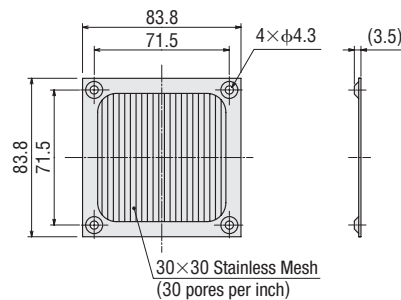
FS6S for MD625 and MDA625

Mass: 7 g



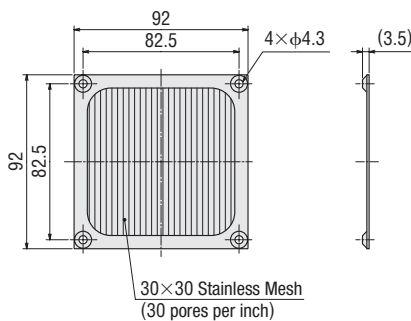
FS8S for MU825, MD825 and MDA825

Mass: 15 g



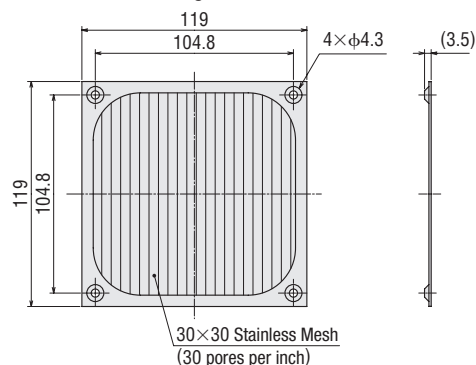
FS9S for MU925, MD925 and MDA925

Mass: 16 g



FS12S for EMU1238, MU1225, MU1238, MDS1225, MD1225, MDA1225 and MDE1225

Mass: 24 g



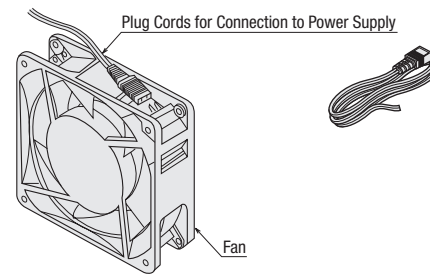
Plug Cords for Connection to Power Supply

This plug cord is for use with the **EMU** Series and **MU** Series fans, providing terminals for connection to the power supply.

Regulations & Standards: UL Standards, CSA Standards, Electrical Appliance and Material Safety Law

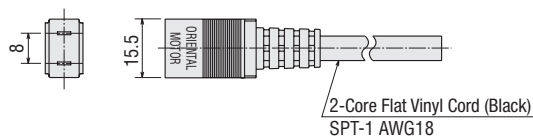
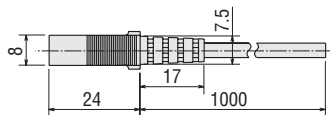


Connecting the Plug Cord

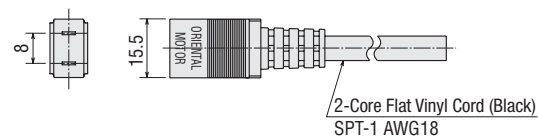
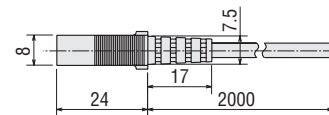


Dimensions Unit: mm

PCA2B..... 1 m



PCA2B2..... 2 m



Power Supply Cables

These cables are used to connect the **EMR** Series fans and the power supply.

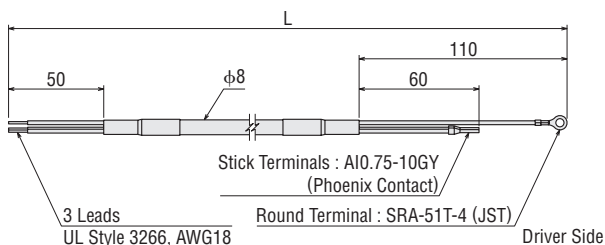
Product Line

Product Name	Power Supply Voltage	Length L [m]
CC01AC03N	Single-Phase 100-240 VAC	1
CC02AC03N		2
CC03AC03N		3
CC01AC04N	Three-Phase 200-240 VAC	1
CC02AC04N		2
CC03AC04N		3

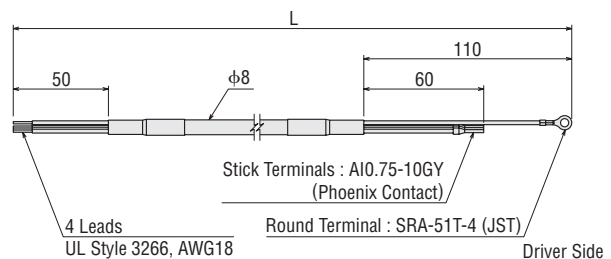


Dimensions Unit: mm

● For Single-Phase



● For Three-Phase



Overview,
Product
Series

Axial
Flow
Fans

AC Input
Energy Saving
EMU

AC Input
Energy Saving,
Variable Flow
EMR

AC Input
Compact Size
MU

AC Input
Long-Life
MRE

DC Input
MDS
MD

DC Input
Alarm
MDA

DC Input
Long-Life
MDE

Centrifugal
Blowers

AC Input
MB
DC Input
MBD

Cross Flow Fans

AC Input
MF
DC Input
MGD

Accessories

Installation

External Speed Potentiometer

This is a potentiometer used for setting the speed of the **EMR** Series fan.

Product Line

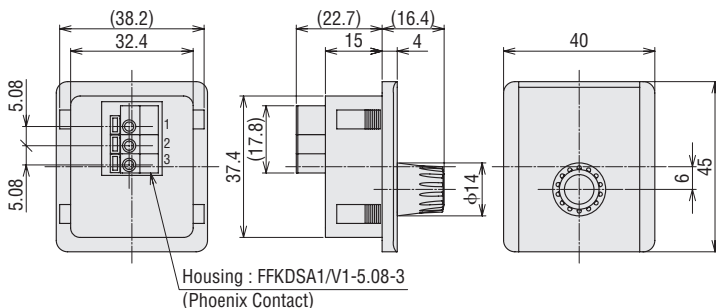
(0-20 k Ω 0.05 W, with a linear resistance vs. angle curve)

Product Name	Applicable Products
PAVR2-20K	EMR Series



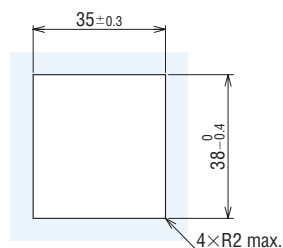
Dimensions Unit: mm

Mass: 25 g



Panel Cut-Out

Thickness of the mounting plate: 1.5 to 3 mm



Orientalmotor

These products are manufactured at plants certified with the international standards **ISO 9001** (for quality assurance) and **ISO 14001** for systems of environmental management.

Specifications are subject to change without notice. This catalogue was published in January 2024.

ORIENTAL MOTOR (EUROPA) GmbH

European Headquarters

Schießstraße 44
40549 Düsseldorf, Germany
Tel: 0211 5206700 Fax: 0211 52067099

Spanish Office

C/Caléndula 93 - Ed. E - Miniparc III
28109 El Soto de La Moraleja,
Alcobendas (Madrid), Spain
Tel: +34 918 266 565

ORIENTAL MOTOR (UK) LTD.

UK Headquarters

Unit 5, Faraday Office Park,
Rankine Road, Basingstoke,
Hampshire RG24 8AH, U.K.
Tel: +44 1256 347090 Fax: +44 1256 347099

ORIENTAL MOTOR SWITZERLAND AG

Switzerland Headquarters

Badenerstrasse 13
5200 Brugg AG, Switzerland
Tel: +41 56 560 50 45 Fax: +41 56 560 50 47

ORIENTAL MOTOR ITALIA s.r.l.

Italy Headquarters

Via XXV Aprile 5
20016 Pero (MI), Italy
Tel: +39 2 93906346 Fax: +39 2 93906348

ORIENTAL MOTOR (FRANCE) SARL

France Headquarters

56, Rue des Hautes Pâtures
92000 Nanterre, France
Tel: +33 1 47 86 97 50 Fax: +33 1 47 82 45 16

Customer Service Center

(Support in German & English)

00800 22 55 66 22*

Mon - Thu: 08:00 - 16:30 CET
Friday: 08:00 - 15:00 CET

*Free Call Europe

info@orientalmotor.de

WWW.ORIENTALMOTOR.EU

EN | DE | UK | IT | FR | ES